

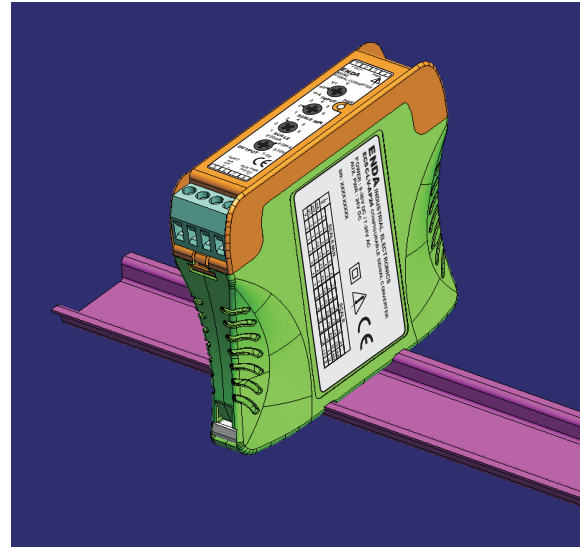


Read this document carefully before using this device. The guarantee will be expired by damaging of the device if you don't attend to the directions in the user manual. Also we don't accept any compensations for personal injury, material damage or capital disadvantages.

# ENDA ECSC Configurable Signal Converter

Thank you for choosing ENDA ECSC Configurable Signal Converter.

- \* Configurable mA, mV and V inputs.
- \* Configurable mA and V outputs.
- \* Isolated sensor supply.(Optional)
- \* Input,output and three-way isolation between power supply.
- \* Rail mountable.
- \* With socket connector connection.
- \* CE marked according to European Norms.



## ORDER CODE

ECSC - UV - AP24

Product Basic Code	ECSC	Sensor Supply	None
Configurable signal converter	ECSC	AP24	24V DC
		AP08	8V DC
		Supply Voltage	UV 90-250V AC
			LV 9-30V DC
			7-24V AC

INPUT TYPE	Measurement Range	Selectable Min. Measurement Value	Selectable Measurement Ranges	Accuracy
mA	0 ..... 20 mA	0, 1, 2, 3, 4, 5 mA	4, 8, 10, 12, 16, 20 mA	%0,5
mV	0 ..... 50 mV	0, 5, 10, 15, 20, 25 mV	10, 15, 20, 30, 40, 50 mV	%0,5
V1	0 ..... 10 V	0, 1, 2, 3, 4, 5 V	1, 2, 3, 4, 5, 6 V	%0,5
V	0 ..... 10 V	0, 1, 2, 3, 4, 5 V	5, 6, 7, 8, 9, 10 V	%0,5

ELECTRICAL CHARACTERISTICS	
Output	0-20/4-20mA DC (Max. load resistance 500Ω) 0-10/1-5V DC can be selected via the device
Supply	For ECSC-UV ; 90-250V AC, 50/60Hz For ECSC-LV ; 9-30V DC/7-24V AC, 50/60Hz
Sensor Supply	For ECSC-XV-AP24;24V DC max. 50mA, without regulation and short circuit protected. (Optional) For ECSC-XV-AP-08;8V DC max. 50mA,without regulation and short circuit protected.(Optional)
Power consumption	Max. 7VA
Input Resistance	For mA input; dynamic input resistor > 120Ω, For mV input; > 1MΩ, For V input; 12kΩ.
A/D converter	15 bit
D/A converter	16 bit
Connection	2.5mm <sup>2</sup> screw-terminal connections
EMC	EN 61326-1: 1997, A1: 1998, A2: 2001
Security requirements	EN 61010-1: 2001 (Pollution degree 2, overvoltage category II)

ENVIRONMENTAL CONDITIONS	
Ambient/storage temperature	0 ... +50°C/-25... +70 °C(In the environment icing and condensation should not be.)
Relative humidity	80 % up to 31°C decreasing linearly 50 % at 40°C.(Should not be condensation.)
Protection class	IP20 According to EN60529
Height	Max. 2000m



Do not use the device in locations subject to corrosive and flammable gases.

HOUSING	
Mounting	Rail mountable (EN60715,TH35 or G-32)
Dimensions	W25xH97xD97mm
Weight	Approx.150 g (After packaging)
Enclosure material	Self extinguishing plastics (According to EN 60695-11-10 V-O)



While cleaning the device,solvents (thinner,benzine,acid etc.) or corrosive materials must not be used.

## CONNECTION DIAGRAM

### ENDA INDUSTRIAL ELECTRONICS ECSC-UV CONFIGURABLE SIGNAL CONVERTER

POWER : 90-250V AC  
AUX. PWR : —

SN: XXXXXXXXX



I N P	SCALE MIN.						SCALE						
	1	2	3	4	5	6	1	2	3	4	5	6	
mA	0	1	2	3	4	5	4	8	10	12	16	20	mA
mV	0	5	10	15	20	25	10	15	20	30	40	50	mV
V1	0	1	2	3	4	5	1	2	3	4	5	6	V
V	0	1	2	3	4	5	5	6	7	8	9	10	V

### ENDA INDUSTRIAL ELECTRONICS ECSC-LV-AP24 CONFIGURABLE SIGNAL CONVERTER

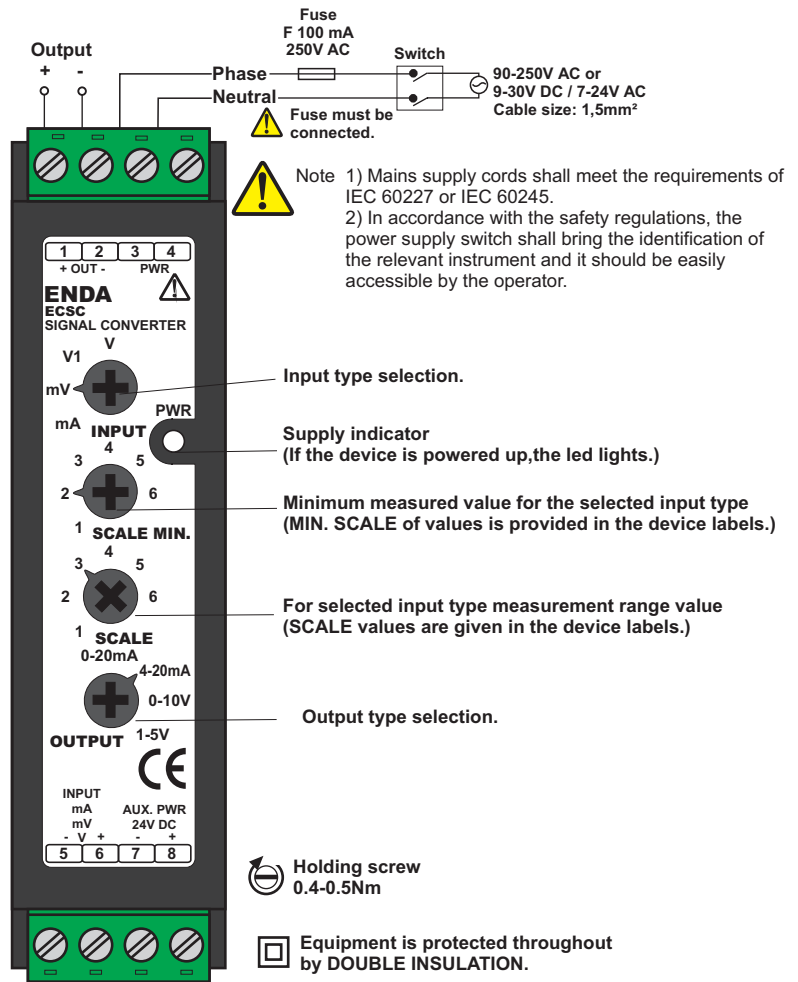
POWER : 9-30V DC / 7-24V AC  
AUX. PWR : 24V DC

SN: XXXXXXXXX



I N P	SCALE MIN.						SCALE						
	1	2	3	4	5	6	1	2	3	4	5	6	
mA	0	1	2	3	4	5	4	8	10	12	16	20	mA
mV	0	5	10	15	20	25	10	15	20	30	40	50	mV
V1	0	1	2	3	4	5	1	2	3	4	5	6	V
V	0	1	2	3	4	5	5	6	7	8	9	10	V

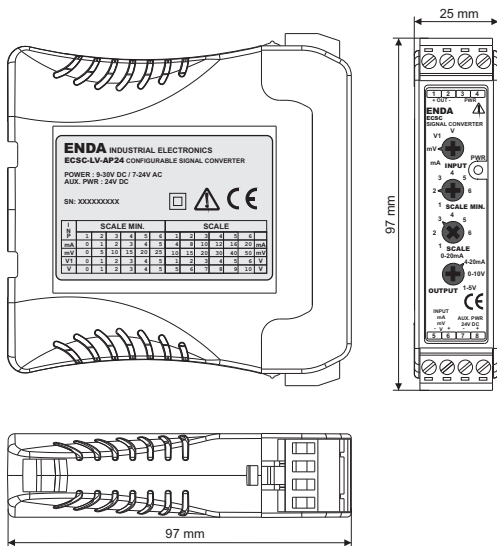
ENDA ECSC series converters are rail mountable devices. Make sure that the device is used only for intended purpose. The shielding must be grounded on the instrument side. During an installation, all of the cables that are connected to the device must be free of energy. The device must be protected against inadmissible humidity, vibrations, severe soiling and make sure that the operation temperature is not exceeded. All input and output lines that are not connected to the supply network must be laid out as shielded and twisted cables. These cables should not be close to the power cables or components. The installation and electrical connections must be carried on by a qualified staff and must be according to the relevant locally applicable regulations.



## ERROR MESSAGES

- PWR LED lights up one time for 1,6s period and 200ms in duration : INPUT < SCALE MIN.
- PWR LED lights twice during 1,6s period and 200ms seconds in duration : INPUT < SCALE MAX.
- PWR LED flashing 100ms : Incorrect choice of scale.

## DIMENSIONS



## MONTAGE

