



Read this document carefully before using this device. The guarantee will be expired by damaging of the device if you don't attend to the directions in the user manual. Also we don't accept any compensations for personal injury, material damage or capital disadvantages.

ENDA EPC8420 PID PROFILE CONTROLLER

Thank you for choosing ENDA EPC8420 profile controller.

- * 48 x 96mm sized.
- * Selectable sensor type.
- * Automatic calculation of PID parameters (SELF TUNE).
 - ⚠ Enter PID parameters of the system if they are known at the beginning. Otherwise, Self-Tune should be activated.
- * Communication via RS-485 ModBus protocol (Optional).
- * Selectable SSR or relay control output.
- * Selectable 0-20mA or 4-20mA analog control output.
- * Relay output can be programmable as second alarm or control output.
- * AL1 output or Timer output or can be used as control AL1 relay output.
- * Selectable Heat/Cool control.
- * Input offset feature.
- * In the case of sensor failure periodical running or relay state can be selected.
- * Until the eight steps to make the profile control.
- * In each step AL1 and AL2 outputs programming.
- * To continue where it left off in power failure feature.
- * For the keypad security levels.
- * Programming by using keypad or Modbus.
- * CE marked according to European Norms.



RoHS
Compliant

TECHNICAL SPECIFICATIONS

Input type	Temperature range		Accuracy	
	°C	°F		
Pt 100 Resistance Thermometer EN 60751	-200...600 °C	-328... +1112 °F	± 0,2% (of full scale)	± 1 digit
Pt 100 Resistance Thermometer EN 60751	-99.9...300.0°C	-99.9...+543.0°F	± 0,2% (of full scale)	± 1 digit
J (Fe-CuNi) Thermocouple EN 60584	0... 600°C	+32... +1112°F	± 0,2% (of full scale)	± 1 digit
K (NiCr-Ni) Thermocouple EN 60584	0...1200°C	+32... +2192°F	± 0,2% (of full scale)	± 1 digit
T (Cu-CuNi) Thermocouple EN 60584	0... 400°C	+32... +752°F	± 0,2% (of full scale)	± 1 digit
S (Pt/0Rh-Pt) Thermocouple EN 60584	0...1600°C	+32... +2912°F	± 0,2% (of full scale)	± 1 digit
R (Pt13Rh-Pt) Thermocouple EN 60584	0...1600°C	+32... +2912°F	± 0,2% (of full scale)	± 1 digit

ENVIRONMENTAL CONDITIONS	
Ambient/storage temperature	0 ... +50°C/-25... +70°C (with no icing)
Max. Relative humidity	80% up to 31°C decreasing linearly 50% at 40°C.
Rated pollution degree	According to EN 60529 Front panel : IP65 Rear panel : IP20
Height	Max. 2000m

⚠ Do not use the device in locations subject to corrosive and flammable gases.

ELECTRICAL CHARACTERISTICS	
Supply	230V AC +10% -20%, 50/60Hz or 24V AC ±10%, 50/60Hz.
Power consumption	Max. 7VA
Wiring	2.5mm ² screw-terminal connections
Line resistance	For thermocouple max.100ohm, for 3 wired Pt 100 max. 20ohm
Data retention	EEPROM (minimum 10 years)
EMC	EN 61326-1: 2006
Safety requirements	EN 61010-1: 2010 (Pollution degree 2, overvoltage category II)

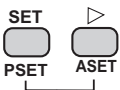
OUTPUTS	
CONT./AL2	Relay : 250V AC, 2A (for resistive load), NO/NC. Selectable as Control or Alarm2 output.
AL1	Relay : 250V AC, 2A (for resistive load), NO/NC selectable. (Alarm1 output).
ANL/SSR	Selectable logic control output. (Max. 12V, 20mA)
Life expectancy for relay	Mechanical 30.000.000 operation; Electrical 300.000 operation

CONTROL	
Control type	Single set-point and alarm control
Control algorithm	On-Off / P, PI, PD, PID (selectable)
A/D converter	15 bits
Sampling time	500ms
Proportional band	Adjustable between 0% and 100%. If Pb=0%, On-Off control is selected.
Integral time	Adjustable between 0.0 and 100.0 minutes
Derivative time	Adjustable between 0.00 and 25.00 minutes
Control period	Adjustable between 1 and 250 seconds
Hysteresis	Adjustable between 1 and 50°C/F
Output power	The ratio of power at a set point can be adjusted between 0% and 100%

HOUSING	
Housing type	Suitable for flush-panel mounting according to DIN 43 700.
Dimensions	W48xH96xD87mm
Weight	Approx. 250g (after packing)
Enclosure material	Self extinguishing plastics.



While cleaning the device, solvents (thinner, benzene, acid etc.) or corrosive materials must not be used.

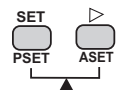


If **ASET** key is pressed while holding **ASET** key, the programming mode is enabled.

Entering from the programming mode to the run mode:

If no key is pressed within 20 seconds during programming mode, the data is stored automatically and the run mode is entered.

Alternatively, the same function occurs first pressing **ASET** key and then pressing **ASET** and **ASET** keys together.



Con.o
AL2V STOP
Pb 4
AL1A AL2V START STOP
ti 4.0
AL1A AL2V START STOP
td 100
AL1A AL2V START STOP
Ct 20
AL1A AL2V START STOP
PSEt 0
AL1A AL2V START STOP
CHYS 2
AL1A AL2V START STOP
CSEr HErE
AL1A AL2V START STOP
PrEr 0
AL1A AL2V START STOP
Cot.S Out 1
AL1A AL2V START STOP
CCon. oFF
AL1A AL2V START STOP
RoLL 0
AL1A AL2V START STOP
RoHL 100
AL1A AL2V START STOP

Pb = Proportional band. Adjustable between 0% and 100%. Setting **Pb** = 0% On-Off control is selected.

ti = Integral time. Adjustable between 0.0 and 100.0 minutes. If **ti** = 0.0, integral effect is not used. Setting **Pb** = 0 this parameter is not seen.

td = Derivative time. Adjustable between 0.00 and 25.00 minutes. If **td** = 0.00, derivation effect is not used. Setting **Pb** = 0 this parameter is not seen.

Ct = Control period. Adjustable between 1 and 250 seconds. Setting **Pb** = 0 and **Cot.S Out 1** this parameter is not seen.

PSEt = The ratio of output power at the set point. Adjustable between 0% and 100%. If this parameter is set to 0, the output power becomes 0 at the set point. If it is adjusted to 50% output power becomes 50% at the set point. Using this parameter the energy requirements of the system is adjusted at the set point. So the set point can be achieved by minimum fluctuations and in the shortest time. Setting **Pb** = 0, this parameter is not seen.

CHYS = Hysteresis of the control output. Adjustable between 1 and 50 °C/F. Adjustable between 0,1 and 50 °C/F. Setting **Pb** = 0 this parameter is seen.

CSEr = Configuration of the control output. **CSEr = HErE** means heating control. **CSEr = cool** means cooling control.

PrEr = This parameter is used to adjust the control output during a sensor failure. Adjustable between 0% and 100%. If this parameter is adjusted to a value closer to the energy requirements of the system at the set point, process temperature is prevented to rise drop to dangerous levels.

Cot.S = Type of control output
Out 1 = Out1 control output.
0-20 = Analog control output. (0mA %0 energy, 20mA %100 energy)
Out1 = Alarm2 output.
4-20 = Analog control output. (4mA %0 energy, 20mA %100 energy)
Out1 = Alarm2 output.
SSr = SSR control output.
Out1=Alarm2 output.

CCon. = Consistently control selection.
oFF = At the end of the profile, temperature control is turned off.
on = At the end of the profile, temperature is kept constant in last set value.

RoLL = Minimum analog output value (% output) ,adjustable between 0 and 100.

RoHL = Minimum analog output value (% output) ,adjustable between 0 and 100.

ALr.1
AL2V STOP
R1HY 2
AL1A AL2V START STOP
R1EP indE
AL1A AL2V START STOP
R1SE H i
AL1A AL2V START STOP
R1PE on
AL1A AL2V START STOP
R1HL 600
AL1A AL2V START STOP
R1LL 0
AL1A AL2V START STOP
dAdr. i
AL1A AL2V START STOP
bAud oFF
AL1A AL2V START STOP

R1HY = Hysteresis of the Alarm1 output. Adjustable between 1 and 50°C.

R1EP = Function of Alarm1 output. Four kinds of functions can be selected.
indE = Independent
dE = Deviation
band = Band
band i = Band with inhibition
PrOF = Profile of control during the current segment AL1 output according to program behaves.

R1SE = The state of Alarm1. If independent or deviation alarm is selected, this parameter can be **Lo** and **H i**. For **Lo** alarm output is energized below the alarm set point. For **H i** alarm output is energized above the alarm set point. If band alarm is selected, this parameter can be **b iH i** or **boH i**. **b iH i** means alarm is activated inside the band.**boH i** means alarm is activated outside the band.

R1PE = State of Alarm1 output in the case of sensor failure. If **R1PE = On**, the alarm output is energized during the sensor failure. If **R1PE = oFF**, the alarm output is not energized during the sensor failure.

R1HL = Alarm1 value upper limit. If **inP** or **Un it** parameters are changed, the maximum value of the **R1HL** parameter changes to the maximum scale value of the selected input type. Minimum of **R1HL** parameter is the value of **R1LL** parameter.

R1LL = Alarm1 value lower limit. If **inP** or **Un it** parameters are changed, the minimum value of the **R1LL** parameter changes to the minimum scale value of the selected input type. The maximum value is the value of **R1HL** parameter.

dAdr. = Device address. Adjustable between 1 and 247. Difference addresses should be selected for every device.

bAud = Modbus baud rate. Selectable 1200, 2400, 4800 and 9600. If **bAud = oFF**, Modbus communication will be disable. Note: The parameter appears at the devices which become ModBus.

ALr.2
AL2V STOP
R2HY 2
AL1A AL2V START STOP
R2EP indE
AL1A AL2V START STOP
R2SE H i
AL1A AL2V START STOP
R2PE oFF
AL1A AL2V START STOP
R2HL 600
AL1A AL2V START STOP
R2LL 0
AL1A AL2V START STOP

R2HY = Hysteresis of the Alarm2 output. Adjustable between 1 and 50°C.

R2EP = Function of Alarm2 output. Four kinds of functions can be selected.
indE = Independent
dE = Deviation
band = Band
band i = Band with inhibition
PrOF = Profile of control during the current segment AL2 output according to program behaves.

R2SE = The state of Alarm2. If independent or deviation alarm is selected, this parameter can be **Lo** and **H i**. For **Lo** alarm output is energized below the alarm set point. For **H i** alarm output is energized above the alarm set point. If band alarm is selected, this parameter can be **b iH i** or **boH i**. **b iH i** means alarm is activated inside the band.**boH i** means alarm is activated outside the band. NOTE! If **Cot.S = out 1**, this parameter is not seen.

R2PE = State of Alarm2 output in the case of sensor failure. If **R2PE = On**, the alarm output is energized during the sensor failure. If **R2PE = oFF**, the alarm output is not energized during the sensor failure. NOTE! If **Cot.S = out 1**, this parameter is not seen.

R2HL = Alarm2 value upper limit. If **inP** or **Un it** parameters are changed, the maximum value of the **R2HL** parameter changes to the maximum scale value of the selected input type. Minimum of **R2HL** parameter is the value of **R2LL** parameter.

R2LL = Alarm2 value lower limit. If **inP** or **Un it** parameters are changed, the minimum value of the **R2LL** parameter changes to the minimum scale value of the selected input type. The maximum value is the value of **R2HL** parameter. NOTE! If **Cot.S = out 1**, this parameter is not seen.

Conf.
AL2V STOP
inP FE.cn
AL1A AL2V START STOP
CHiL 600
AL1A AL2V START STOP
CLoL 0
AL1A AL2V START STOP
oFFS 0
AL1A AL2V START STOP
Un it °C
AL1A AL2V START STOP
FLCo 5
AL1A AL2V START STOP
tBAS n in
AL1A AL2V START STOP
SE iP 50
AL1A AL2V START STOP
P.on t. StoP
AL1A AL2V START STOP
Snu n 8
AL1A AL2V START STOP
dSEL 1
AL1A AL2V START STOP

inP = Type of input and scale.
Pt = Pt 100 -200 to +600°C
Pt 0 = Pt 100 -99.0 to +300.0°C
FE.cn = J (Iron vs. Copper-Nickel) 0 to +600°C
ncnR = K (Nickel-Cr.vs. Nickel-Alum.) 0 to +1200°C
ccn = T (Copper vs. Copper-Nickel) 0 to +400°C
P 10r = S (Platinum-10%Rhodium vs. Pt.) 0 to +1600°C
P 13r = R (Platinum-13%Rhodium vs. Pt.) 0 to +1600°C
Note : If the selected input type is changed, the value of **CH iL**, **CLoL**, **R1HL**, **R1LL** parameters changes automatically.

CH iL = Set point upper limit. If **inP** or **Un it** parameters are changed, the maximum value of the **CH iL** parameter changes to the maximum scale value of the selected input. The minimum value is the value of **CLoL** parameter.

CLoL = Set point lower limit. If **inP** or **Un it** parameters are changed, the minimum value of the **CLoL** parameter changes to the minimum scale value of the selected input. The maximum value is the value of **CH iL** parameter.

oFFS = Offset value. Offset value is added to the measurement value. Adjusted between -99 and +99°C. The normal value is 0.

Un it = The temperature unit. Selectable as °C or °F. Note : If the temperature unit is changed, the value of the **UPL**, **LoL**, **R1UPL**, **R1LoL** Parameters changes automatically. NOTE! If **inP** parameter is selected TC or Pt100, this parameter is seen.

FLCo = Coefficient of digital filter. Filter for display value. Adjustable between 1 and 32. If this parameter is 1, digital filter runs most quick. If the parameter is 31, the filter run most slow. The value of parameter should be increased in interference.

tBAS = Unit of time. As **SEc** or **n in** can be selected. **SEc** is selected, the time as second is shown. **n in** is selected, the time as minute is shown.

SE iP = Segment increasing parameter. **SE iP** parameter can be set between the value in 0 and **CH iL** parameters. If **Snu n** is selected between 1 and 8, the time value at the end of the process and the difference between the target temperature value of **SE iP** is equal to or smaller than the next segment is passed. If the **Snu n** = 0 is selected, the difference between target temperature with process value until from **SE iP** value smaller than or equal ;timer is stopped and it does flash.

P.on t. StoP = The selection of action that the energy is given. If **StoP** is selected, the running program is stopped when power is cutted-off and came back ;is returned to beginning of the program.It is expected to run again. If **Cont.** is selected, the power is cutted-off and came back; running program will continue where is resume.

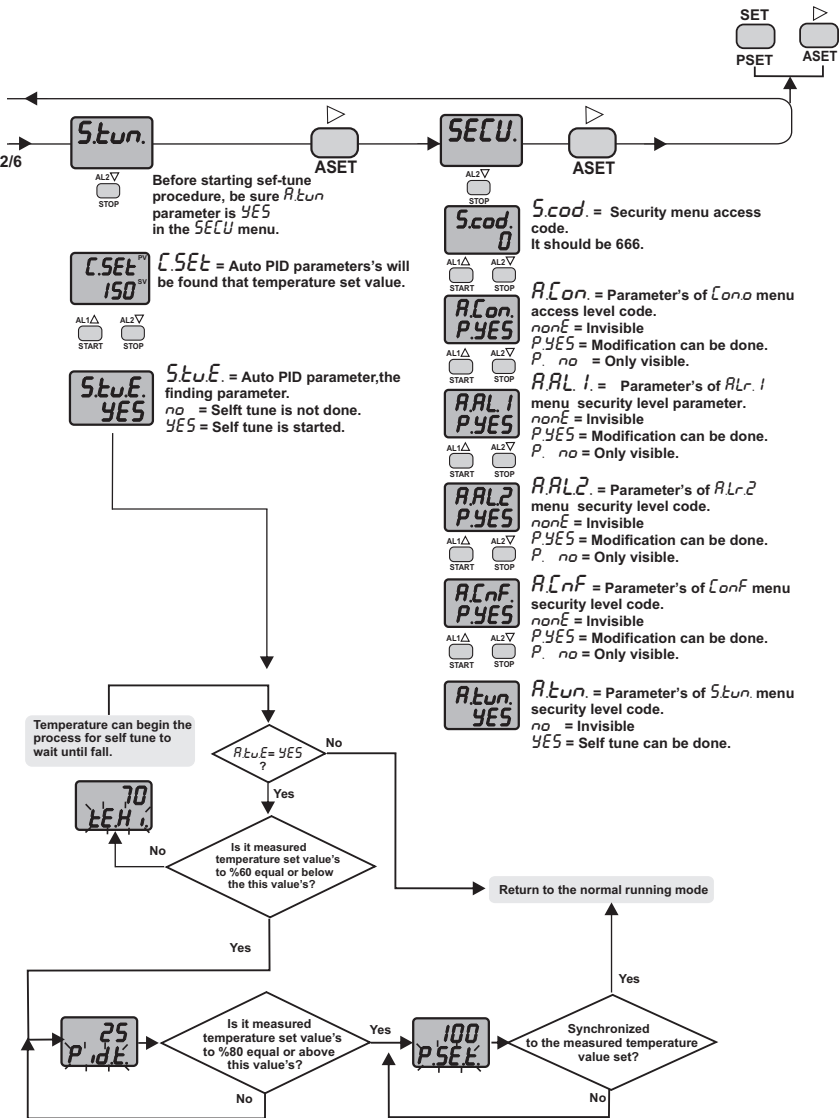
Snu n = Maximum segment number. Can be selected between the 0-8. Selected numbers between 1-8, shows the step of program to work with. Can be selected "0" is passed to the thermostat and timer mode. In this mode the timer works when the temperature reached the set value at the end of this period and the Alarm1 contact be active.

dSEL = Display selection parameter. It can take values between the 1-10. Can be selected "1", only the process value is shown. 2 and the above values are selected ;if 2 or more is programmed segment profile, a segment number process value is shown alternately.

Modification of Parameter Diagram

When holding **ASET** key, the value of parameter flashes and using **AL1A** **AL2V** keys the requested value can be adjusted.

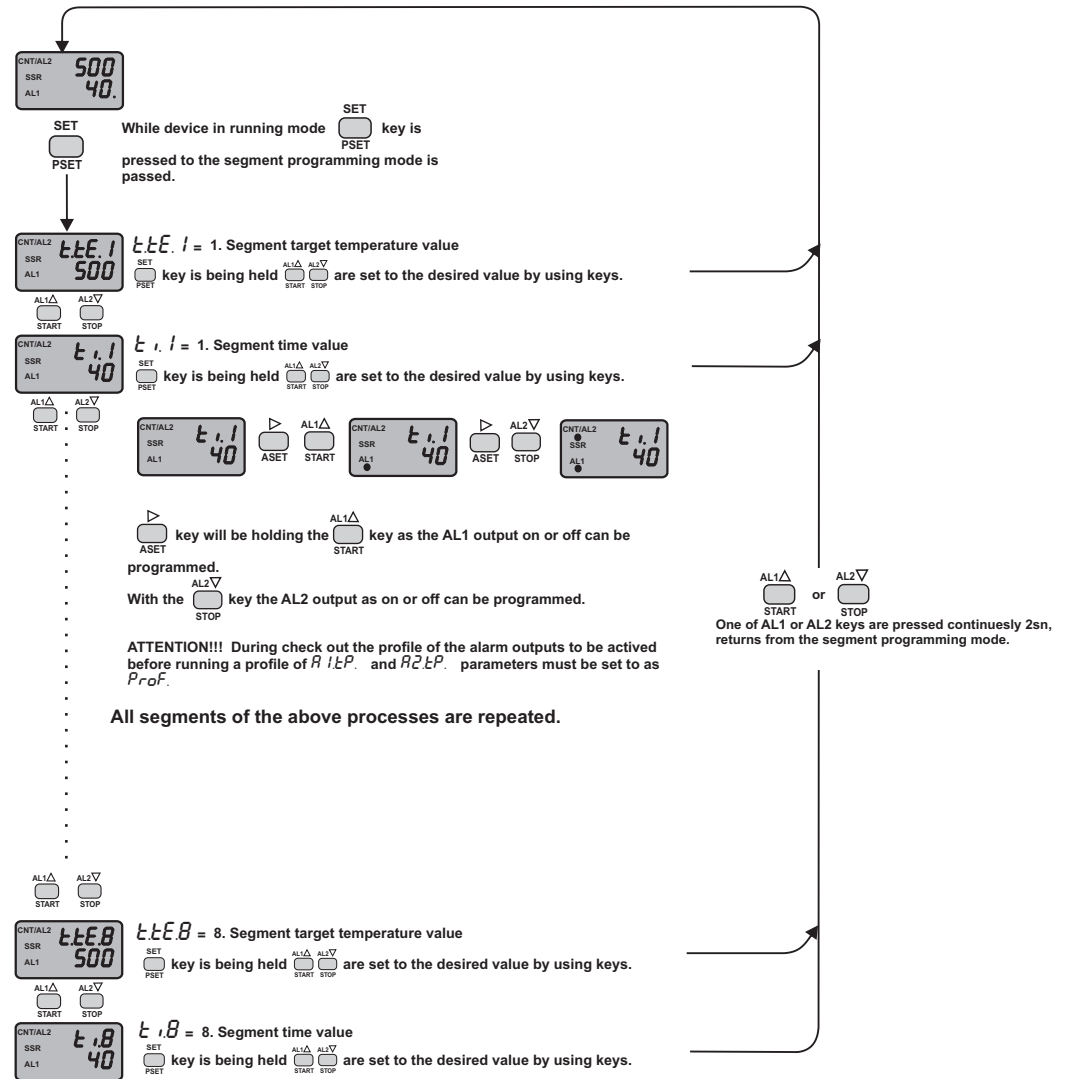
If **ASET** key is pressed and held 0.6 seconds, the value of the selected parameter changes rapidly. If waited enough, the value increases 100 at each step. After 1 second following the release of the key, initial condition is returned. The same procedure is valid for the decrement key.



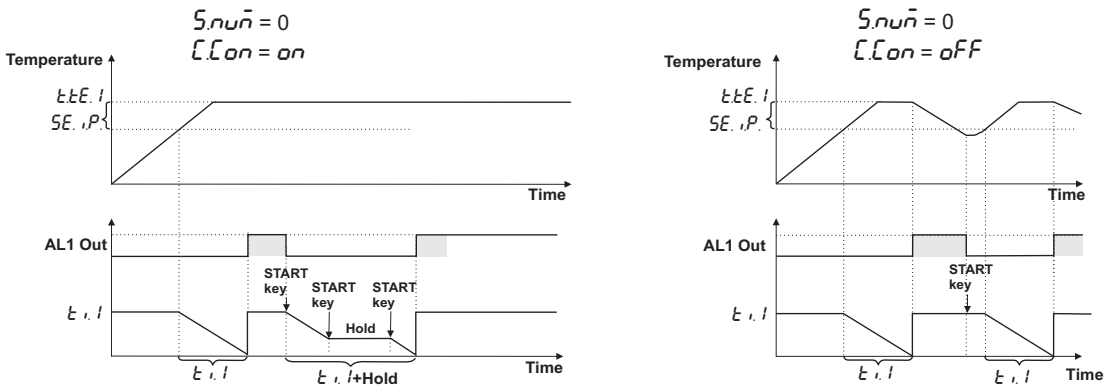
Probe error is not, to the self tune mode is entered. The measured temperature is low enough to make that self tune, *P.idt.* message is seen in sub-indicator and the self tune process starts. For the self tune process to begin, measured temperature must be to % 60 equal or under the set value's. If this condition is not right, in the sub-indicator *tEH.1* message flashes and the device can make self tune waits until the temperature falls. When the temperature decreased, *P.idt.* message starts to flash in the sub-indicator and self tune process is started and PID parameters can be calculated until possible in the sub-indicator of this message continues to flash. After PID parameters found in the sub-indicator *P.SEK.* message starts to flash. In this case, device PID controlled the heating till the set value and finding the required amount of energy for being established on the set level heating; returned quitting the self tune mode and writing the *P.SEK.* parameter as %.

If pressed on any keys while the *P.idt.* message flashes on sub-indicator, self tune mode is quitted without accounting display PID parameters.

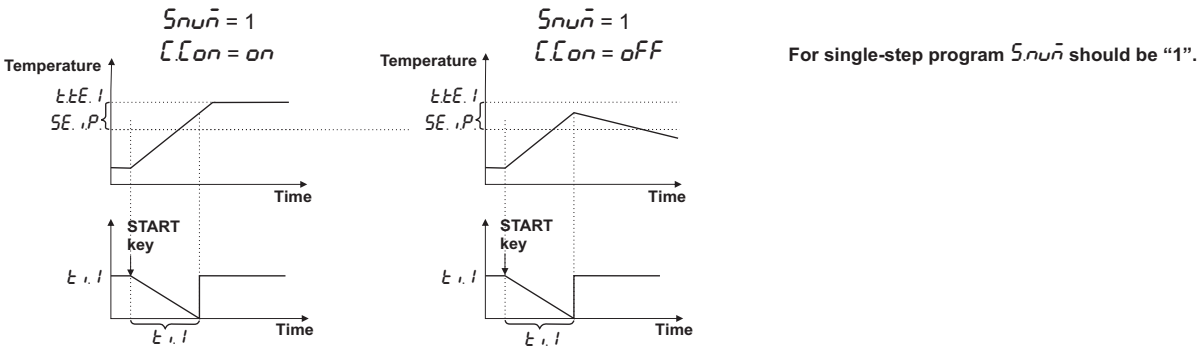
SEGMENTS OF PROGRAMMING



TIMER / THERMOSTAT OUTPUT EXAMPLES



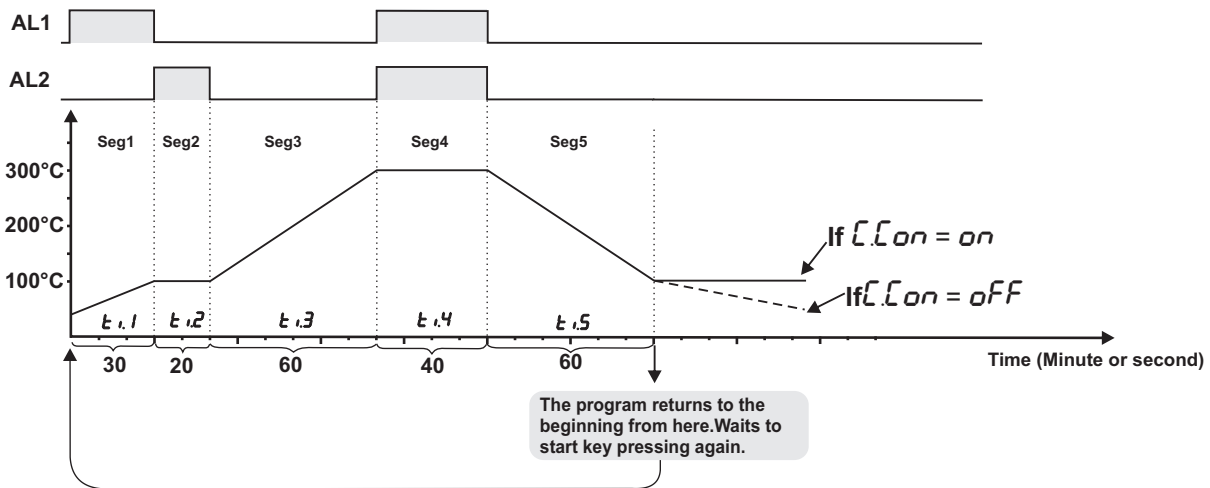
PROFILE CONTROL OUTPUT EXAMPLES



MULTI-STEP PROFILE CONTROL OUTPUT EXAMPLES

	Seg1	Seg2	Seg3	Seg4	Seg5
Target Temperature	$t_{E.1} = 100$	$t_{E.2} = 100$	$t_{E.3} = 300$	$t_{E.4} = 300$	$t_{E.5} = 100$
Time	$t_{i.1} = 30$	$t_{i.2} = 20$	$t_{i.3} = 60$	$t_{i.4} = 40$	$t_{i.5} = 60$
AL1	ON	OFF	OFF	ON	OFF
AL2	OFF	ON	OFF	ON	OFF

For five-step program $S.nuñ$ should be "5".



TERMS

(1) Measurement value (At running mode)
Parameter name (At programming mode)

(2) Set value (At running mode)
Parameter value (At programming mode)

Timer run LED

(3) Value increment key (At running and programming mode)
START key (At running mode)
Parameter selection key (At programming mode)

(4) Value decrement key (At running and programming mode)
STOP key (At profile programming mode)
If only this key is pressed in running mode, software version number is seen.
Parameter selection key (At programming mode)

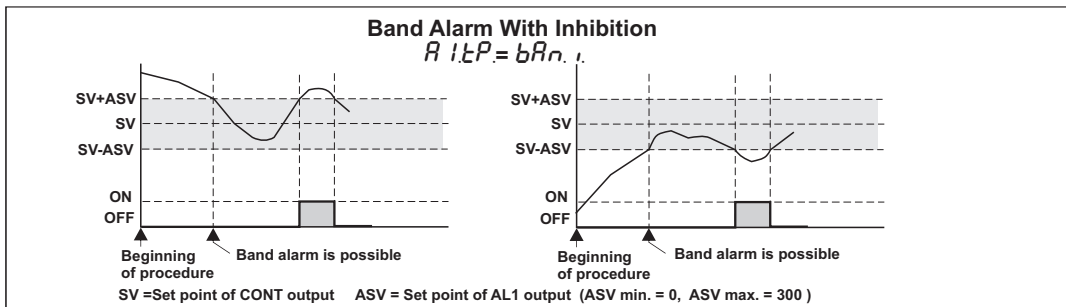
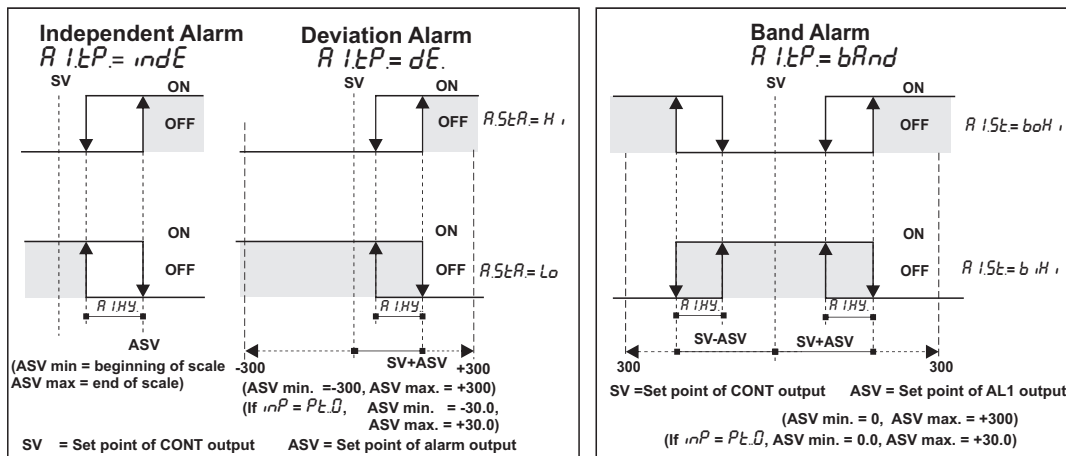
(5) Alarm set key (At running mode)
Menu selection key (At programming mode)

(6) The profile set values adjustment key (At running mode)
Parameter set key (At programming mode)

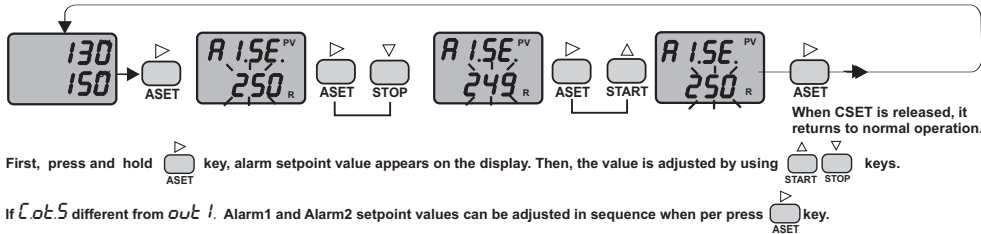
(7) State indicator

(1) PV display	4 digits 7 segment red LED
(2) TIMER display	4 digits 7 segment yellow LED
Character heights	PV display : 12mm
	TIMER display :12mm
(3),(4),(5),(6) Keypad	Mikro switch
(7) State indicator	3 red LEDs for Control, Alarm1 and SSR outputs

ALARM1 AND ALARM2 OUTPUT TYPES



MODIFICATION OF CONTROL AND ALARM SET POINTS



NOTE: The maximum of $CSET$ is the value of $CH.HL$ parameter and the minimum of it is the value of $CLoL$ parameter.
If independent alarm is selected, $R1SE$ and $R2SE$ values can be adjusted between the limits of the full scale.
If deviation alarm is selected, $R1SE$ and $R2SE$ values can be adjusted between -300 and +300.
If band alarm is selected, $R1SE$ and $R2SE$ values can be adjusted between 0 and +300.

Error Messages

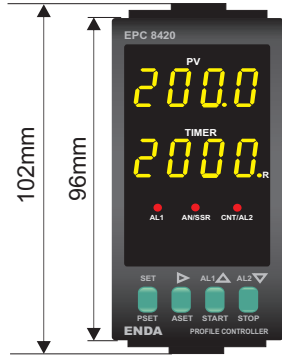
Temperature value is higher than the scale

Temperature value is lower than the scale

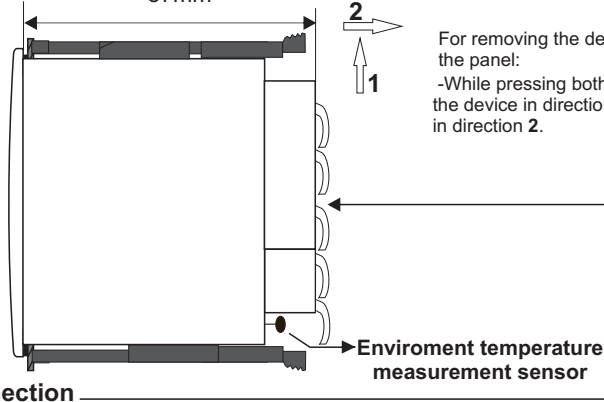
Temperature sensor is broken or over temperature

Pt 100 or a sensor line is short circuited

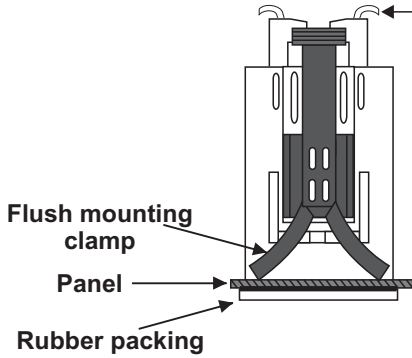
DIMENSIONS



Depth 87mm

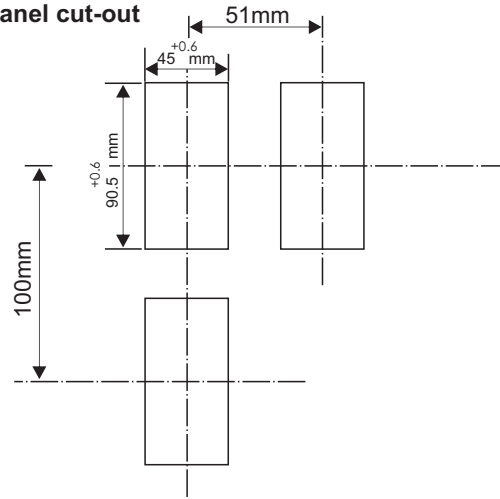


For removing the device from the panel:
-While pressing both side of the device in direction 1, push it in direction 2.



Connection cables

Panel cut-out

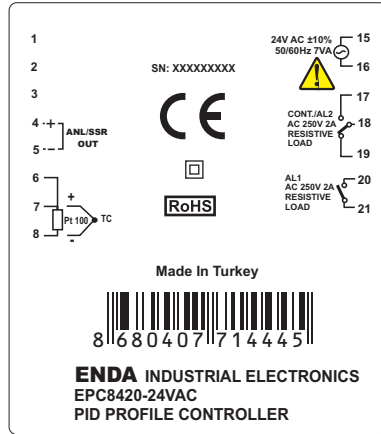
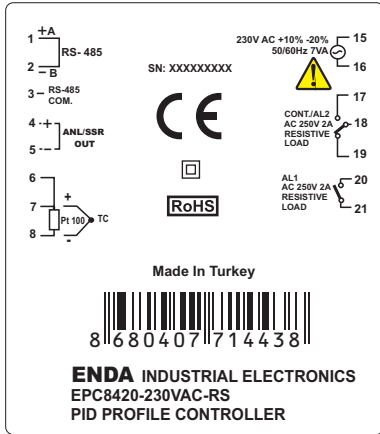


- Note 1) While panel mounting, additional distance required for connection cables should be considered.
2) Panel thickness should be maximum 10mm.
3) If there is no 90mm free space at back side of the device, it would be difficult to remove it from the panel.

CONNECTION DIAGRAM



ENDA EPC8420 is intended for installation in control panels. Make sure that the device is used only for intended purpose. The shielding must be grounded on the instrument side. During an installation, all of the cables that are connected to the device must be free of energy. The device must be protected against inadmissible humidity, vibrations, severe soiling and make sure that the operation temperature is not exceeded. All input and output lines that are not connected to the supply network must be laid out as shielded and twisted cables. These cables should not be close to the power cables or components. The installation and electrical connections must be carried on by a qualified staff and must be according to the relevant locally applicable regulations.



Logic output of the instrument is not electrically insulated from the internal circuits. Therefore, when using a grounding thermocouple, do not connect the logic output terminals to the ground.

- Note 1) Mains supply cords shall meet the requirements of IEC 60227 or IEC 60245.
2) In accordance with the safety regulations, the power supply switch shall bring the identification of the relevant instrument and it should be easily accessible by the operator.

Holding screw
0.4-0.5Nm

Equipment is protected throughout
by DOUBLE INSULATION.

NOT :

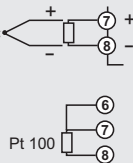
BESLEME :

184-253V AC veya 21.6-26.4V AC 50/60Hz 5VA
Faz
Nötr
Sigorta F 100 mA 250V AC
Anahtar
230V AC veya 24V AC Besleme
Kablo ölçüsü: 1,5mm²

SENSÖR GİRİŞİ :

J-K-T-S-R tipi termokupl için :
Doğru kompanzasyon kablosu kullanınız. Ek yapmayınız. Termokupl kablolarının giriş terminalinde doğru yerlere bağlanmasına dikkat ediniz.

Rezistans termometre için :
2 telli Pt 100 kullanıldığında, giriş terminalinin 7 ve 8 nolu uçlarını kısa devre yapınız.



Order Code : EPC8420-□□□□□□-□□
1 2

1 - Supply Voltage

230VAC...230V AC
24VAC.....24V AC
SM.....9-30V DC / 7-24V AC

2- Modbus Option

RS.....RS-485 Modbus communication
None....Don't support RS-485 Modbus communication