



## GXM-42A / GXM-40A / GXM-02A Analog Extension Module

**Device Description :** This device is an extension module uses for increase digital I/O capacity. It works with any CPU module, It does not work stand alone.

**General Description:** These sries generate /read analog signal.  
One CPU support max. 16 extension module



### Priority Considerations

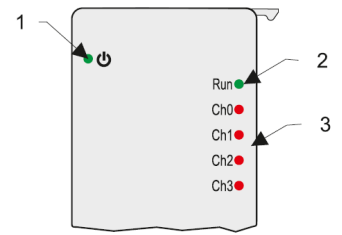
- To avoid damaging the system, do not connect/disconnect the device when power is on
- Make wiring according to user manual to avoid damaging the system.
- Do not touch PLC module terminals when power is on
- Make sure that the PLC module analog input values are in the scale intervals.
- Make sure that the ground line is connected to the PLC module.

### General Specification:

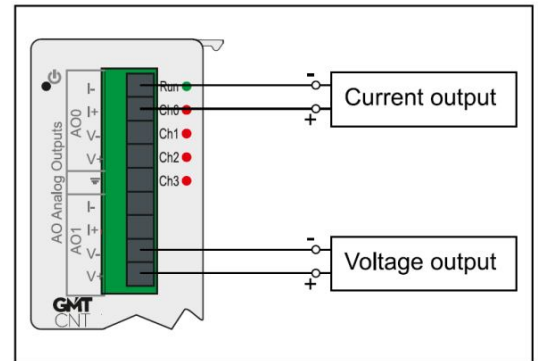
Part	Name	Description
General	Power	Internal
	P. Consumption	24V DC Max 2W
	Mounting	DIN Rail
GXM-42A/40A Inputs	Qty	4 Channels
	Resolution	14 bit (16383)
	Signal types	0-10Vdc, 0-20mA, 4-20mA (software config)
	Accuracy	± %0.5
	Refresh period	50Hz
GXM-42A/02AOutputs	Qty	4 Channels
	Resolution	14 bit (16383)
	Resolution	14 bit (16383)
	Signal types	0-10Vdc, 0-20mA, 4-20mA (software config)
	Accuracy	± %0.5
	Refresh period	5Hz
Environmental	Temperature	-10..+60°C (without icing)
	Humidity	5..95%rH
	Enviromental	Do not use the device in locations subject to corrosive or flammable gasses

### Led Status

- 1) Power Led ; The Led is on when module is powered..
- 2) Run Led ; This Led on when module-PLC configuration made successfully and module is running
- 3) Ch0,Ch1,Ch2,Ch3 Channels status leds. If there is any faults in wiring this leds blinks. All of them is off when in normal condition.



**Analog outputs:** GXM-42A and GXM-02A modules have got 2 analog output channels. Voltage / Current output configuration made in GMTsoft editor. Channels can configure independently.



**Analog inputs:** GXM-42A and GXM-40A modules have got 4 channels analog inputs. Voltage / Current output configuration made in GMTsoft editor. Channels can configure independently.

